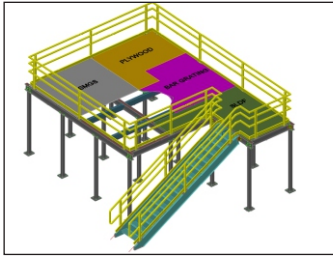




A D Mezzanine



Mezzanine



Guard Rail



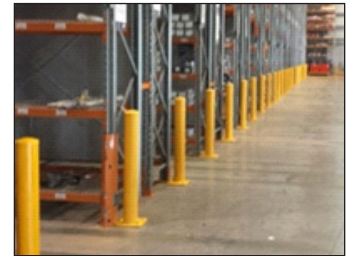
Cantilever Rack



Partition



Lockers



Bollards

OUR CUSTOMER - OUR CONCERN

6315 Shawson Drive , Unit 9
Mississauga, Ontario, Canada L5T 1J2

Tel: 905-696-0750

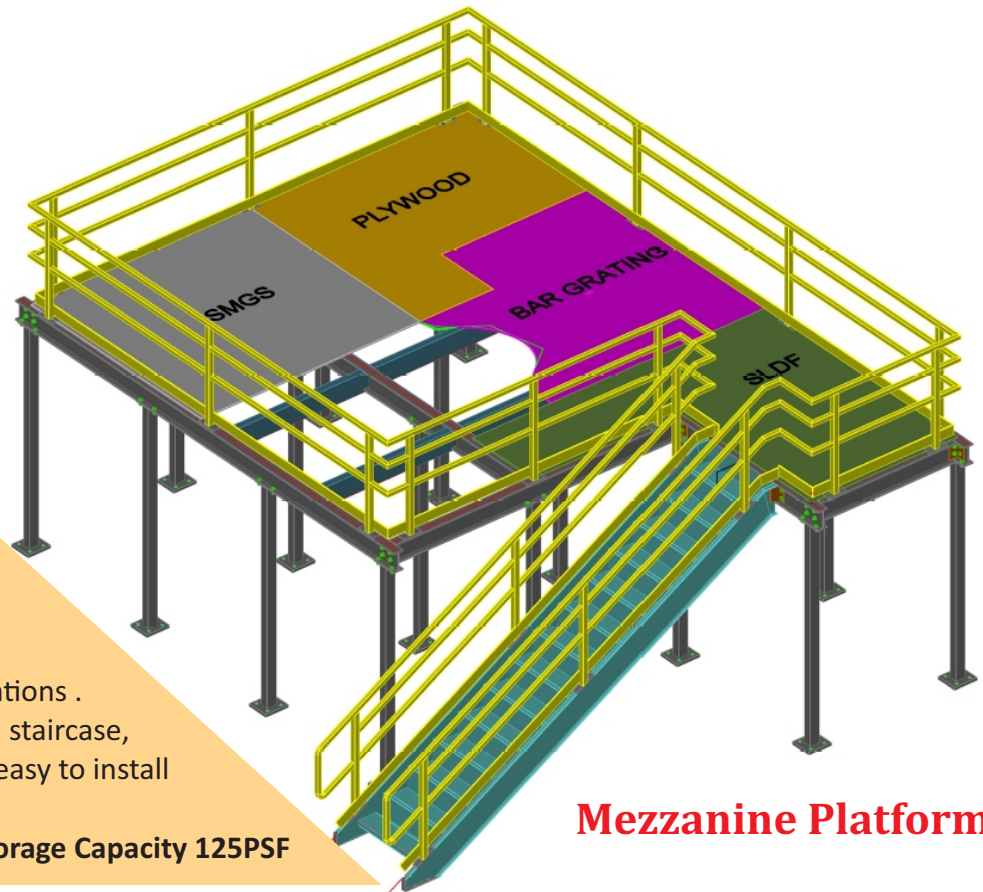
Fax: 905-696-7470

info@admezzanine.Com

www.ADMezzanine.Com

Mezzanine

Installation Services Available



Mezzanine Platform

A D Mezzanines offer very cost effective storage solutions for your Manufacturing or warehouse facility by creating extra space for your office and workplace without incurring costly renovations . Our systems are complete with staircase, handrail and ladder which are easy to install and relocate.

Storage Capacity 125PSF

Flooring



Standard Mezzanine Deck

A D Mezzanine's standard mezzanine deck Consists of one layer of 3/4" T&G, OSB (oriented strand board) installed over 1-1/2" deep gauge corrugated steel deck. OSB can handle random wheel loads up to 300 lbs and is good for foot traffic . This is the Most economical selection for general storage and office applications.



Bar Grating – 1" x 1/8"

A strong and economical alternative, Bar grating with a 1" X 4" opening allows for air movement, light, and water from overhead sprinklers to pass through deck surface. This comes in standard Black Finish with an option of galvanized finish. This Should not be used for pallet jack applications.

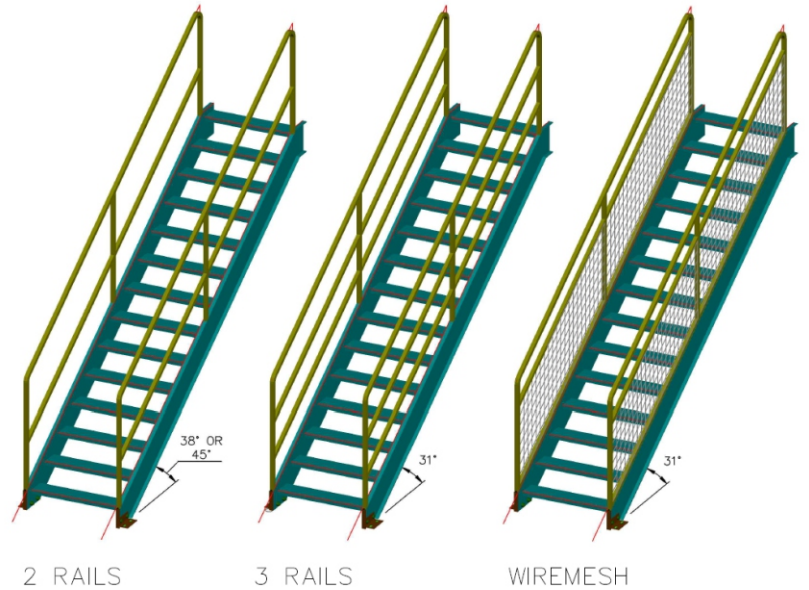


Steel Tread Plate over OSB

Steel Tread Plate comes with greater durability with higher point load and wheel load capacities. Heavy-duty steel tread plate has a diamond embossed non-skid surface. OSB is 3/4" tongue and groove over a 20 gauge corrugated steel deck.

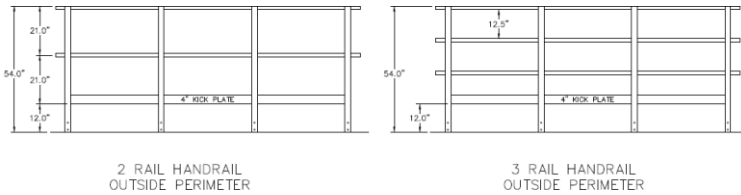
Stairs Features:

- Meets Safety standards.
- Staircase have 31,38,45 Degrees Slope
- Stairs are 36" W,
- Open Tread 10" D or Closed Tread 10" D
- Risers are 7" H.
- All components shall be Gloss Alkyd Enamels Grey.
- Optional other colors available.



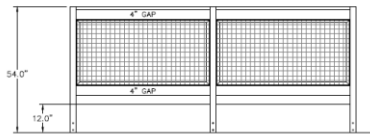
Three Types of Stairs

Handrail



2 RAIL HANDRAIL
OUTSIDE PERIMETER

3 RAIL HANDRAIL
OUTSIDE PERIMETER



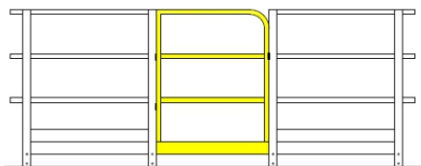
HANDRAIL WITH
WIRE MESH

POST	HOLLOW STRUCTURAL TUBING	2" x 2" x 16GA
HANDRAIL	HOLLOW STRUCTURAL TUBING	1 1/2" x 1 1/2" x 16GA

Handrail Description:

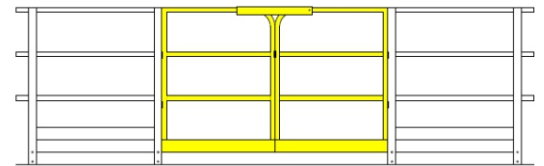
- 2 Rail Handrail 42" H with 6" H Kick Plate
- 3 Rail Handrail 42" H with 6" H Kick Plate.
- Wire Mesh Panel 42" H with 6" H Kick Plate

All components shall be Gloss Alkyd Enamels Safety Yellow.



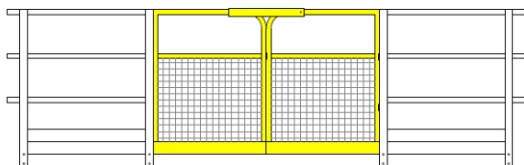
SINGLE SWING GATE

Doors

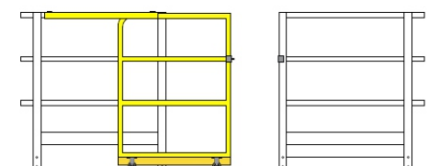


DOUBLE SWING GATE

SPECIFICATIONS	
GATE WIDTH	5'-0", 6'-0"
MODELS	2-RAIL, 3-RAIL, WIRE MESH
FRAME MATERIALS	HOLLOW STRUCTURAL TUBING 1 1/2" x 1 1/2" x 16GA



DOUBLE SWING GATE
WITH WIREMESH



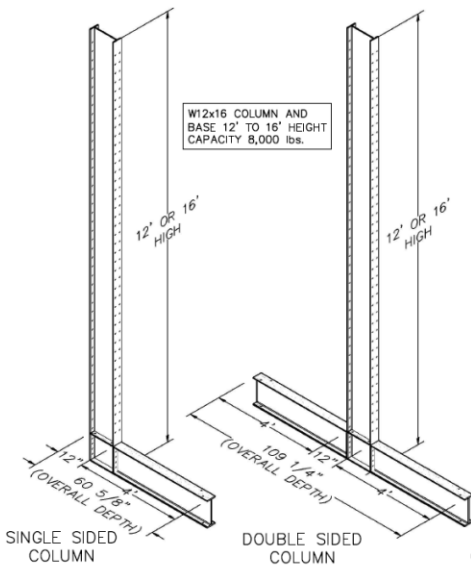
SINGLE SLIDING GATE

Cantilever Rack

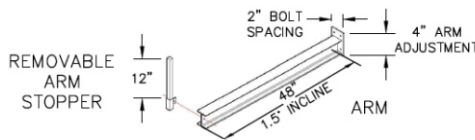


Cantilever racking are heavy duty racking solution for storing irregular sized items. It Features a special arm designed system for easy front loading without obstruction. They are ideal for indoor and outdoor use to store products off the ground making more floor space. These are extremely durable for maximizing and organizing your storage capacity. Our System comes to you with the highest quality of materials and services.

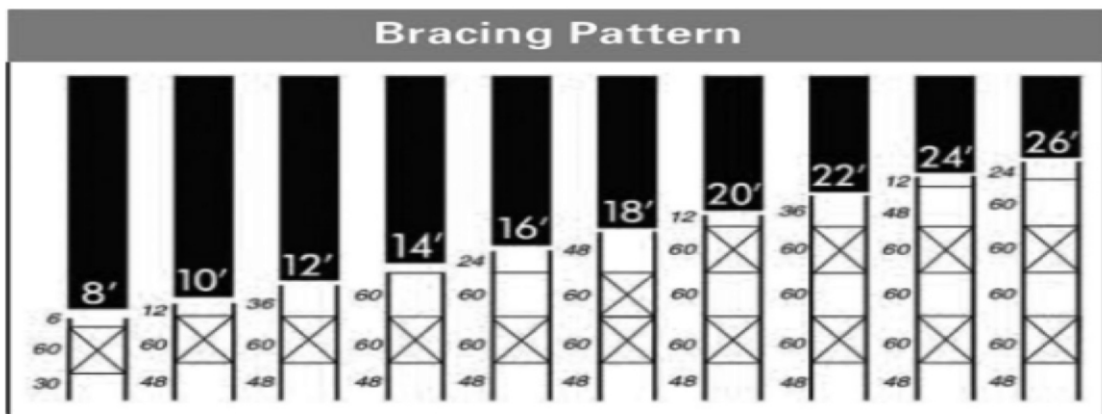
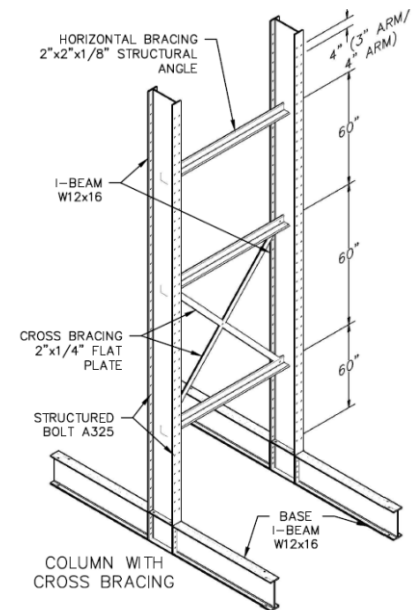
Standard Colors: Column and base are Gloss Alkyd Enamels Grey. Arm and stopper are Gloss Alkyd Enamels Safety Yellow. (Other color options available)



Installation Services Available



		ARM CAPACITY (lbs)									
AR	M	SIZE	24"	30"	36"	42"	48"	52"	56"	60"	72"
A3	3"	3200	2500	2100	1800	1550	1425	1300	1052	790	
A4	4"	5225	4200	3500	300	2265	2425	2350	2100	1850	
A5	5"	6600	5300	4400	3750	3300	3050	2925	2650	2400	

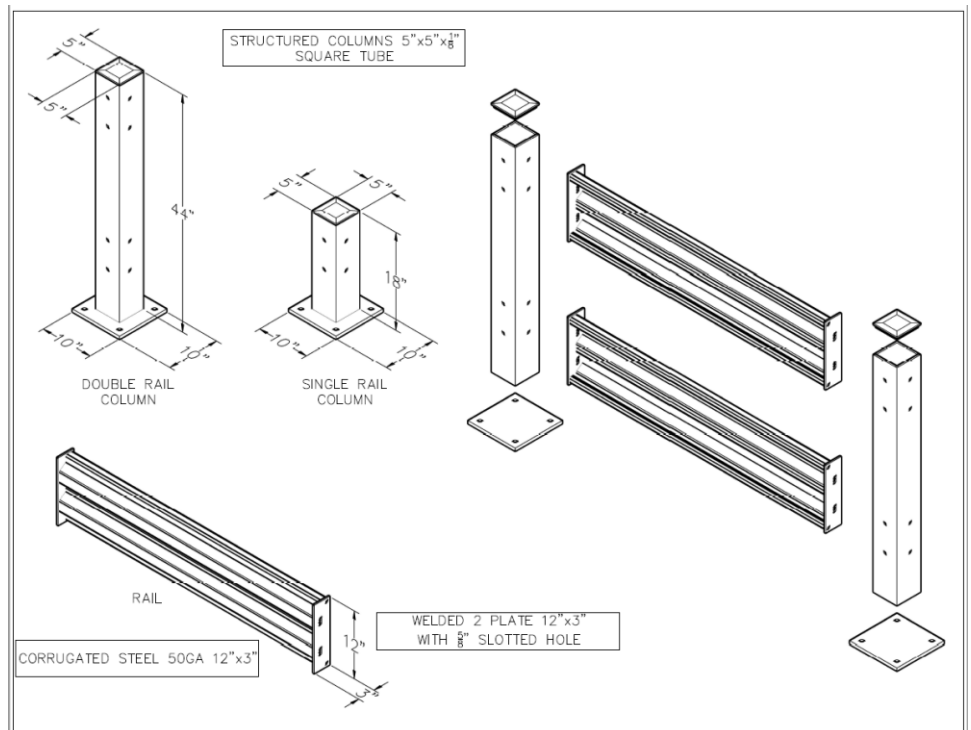


Guard Rail

Installation Services Available

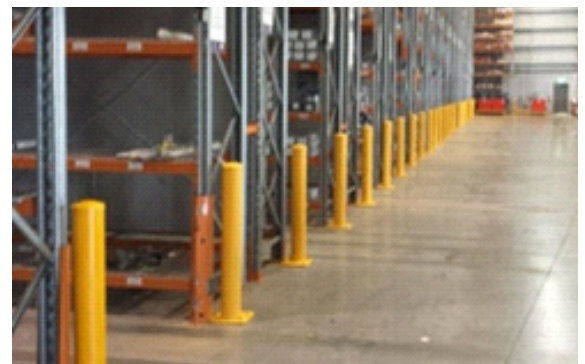


Materials Used for Rail are 12Ga Steel which can absorb 10,000Lbs load at 4 mph Available Rail sizes are 2' to 10' in exact lengths and color is Gloss Alkyd Enamels Safety Yellow.



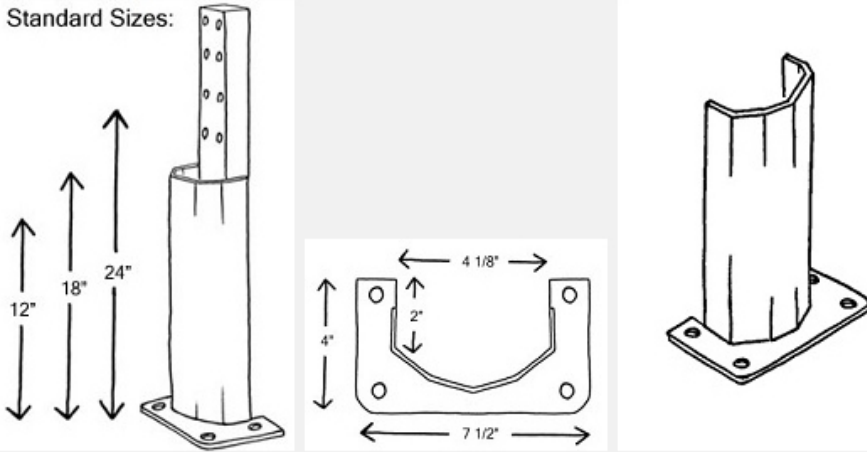
Easy to Install

- Bollards are available in standard Heights of 24", 36" & 42"
- Bollards are 4-1/2" Dia X 1/8" Thick closed on top with a Cap.
- They are welded on a 10" X 10" Base plate with 4 Holes of 5/8" Dia for Anchor Bolts.
- Hardware not included.
- All heavy-duty Bollards are sealed in a safety yellow paint finish for maximum visibility.
- Easy Installation
- Custom lengths and colors are also available upon request.



Rack Post Protectors

Standard Sizes:



- Post Protectors are available in standard lengths of 12"H & 24"H
- Post are made of 3/16" thick steel construction. 7"W X 6"D base plate with 4 Holes of 5/8" for Anchor Bolts.
- Hardware not included.
- All heavy-duty Post Protectors are sealed in a safety yellow paint finish for maximum visibility.
- Easy Installation
- Custom lengths and colors are also available upon request.

Partitions

Standard Posts are fabricated with 2"x 2" seam welded square steel tube. Each post have a welded post base plate 6" x 6" x 1/4" with four holes for easy adjustment. Post spacing is either 8' or 10' center.

PANEL FRAME

Panel frames are made of 1 1/4" x 1 1/4" 16 gauge structural angle with corners notched and seam welded.

PANEL FABRIC

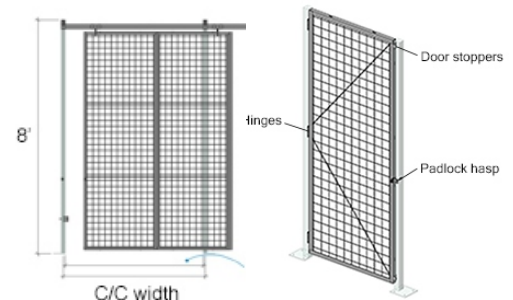
Wire mesh panel are made of 2" x 2" x 10GA welded. The fabric is welded at every 6" to the frame.

DOORS (Swing)

Door frame is made of 1 1/4" x 1 1/4" x 12GA heavy duty structured steel. Doors are reinforced with 1/2" diameter rod, dividing the doors in 2 equal sections and with standard padlocking hasps, two door stoppers and one pair of 1/2" steel pin hinges. (All the hardware is included)

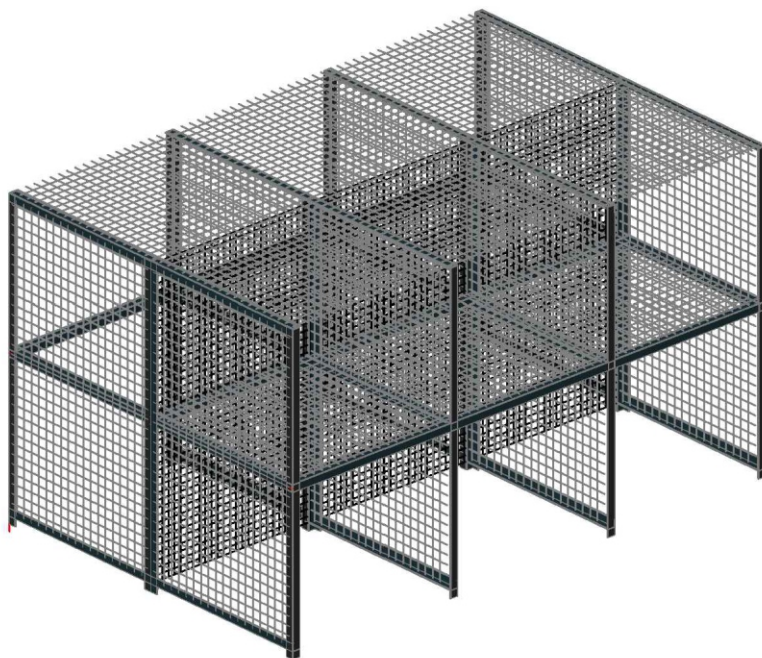
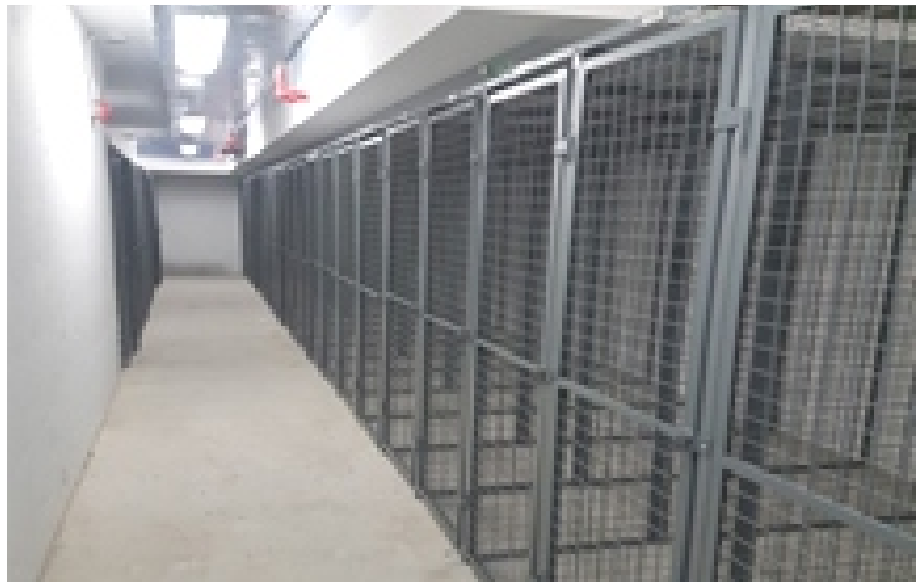
DOORS (Sliding)

Sliding doors are made of the same materials as the panels. These doors are reinforced with a 1 1/2" square tube, bolted to the front and leading edges and are also equipped with a guide track of three support hangers, a door guide, a receiver and one set of hasps for padlocking.

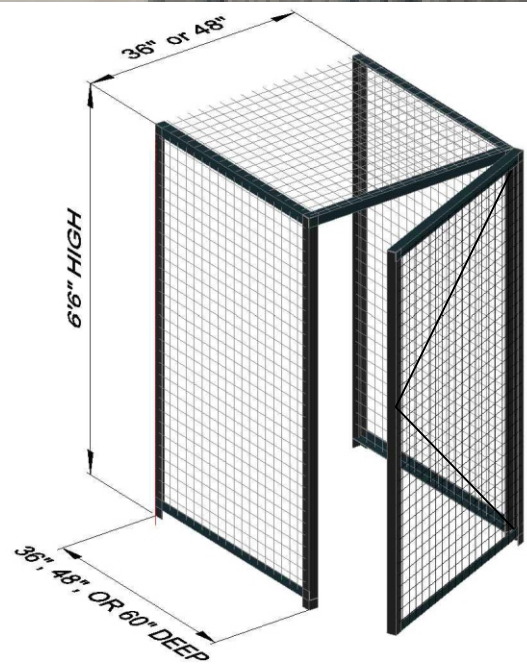


Storage Lockers

Installation
Services
Available



DOUBLE TIER



SINGLE TIER

SPECIFICATIONS:

LOCKERS CONSIST OF PRE-ENGINEERED WELDED, POST, STEEL FRAMED PANELS, DOORS, AND ROOF.

PANEL FRAME

- MADE OF 1 1/4" x 1 1/4" x 12GA STRUCTURAL ANGLE WITH CORNERS NOTCHED AND SEAM WELDED.

PANEL FABRIC

- WIRE MESH PANEL 2" x 2" x 10GA WELDED TO FRAME EVERY 6".

DOOR (SWING)

- DOOR FRAME IS MADE OF 1 1/4" x 1 1/4" x 12GA HEAVY DUTY STRUCTURED STEEL. DOORS ARE REINFORCED WITH 1/2" Ø ROD, DIVIDING THE DOORS INTO 2 EQUAL SECTIONS. DOORS ARE EQUIPPED WITH STANDARD PADLOCKING HASP, TWO DOOR STOPPERS AND 1 PAIR OF 1/2" PIN HINGES.

ROOF (OPTIONAL)

- ROOF PANELS ARE MADE OF 2" x 2" x 10GA WELDED WIRE MESH. ROOF MESH ARE ATTACHED TO EACH SIDE PANEL AND TRANSOM PANEL USING WIRE WRAPS. ROOF PANELS ARE NOT DESIGNED TO RESIST LOADS.

FINISH

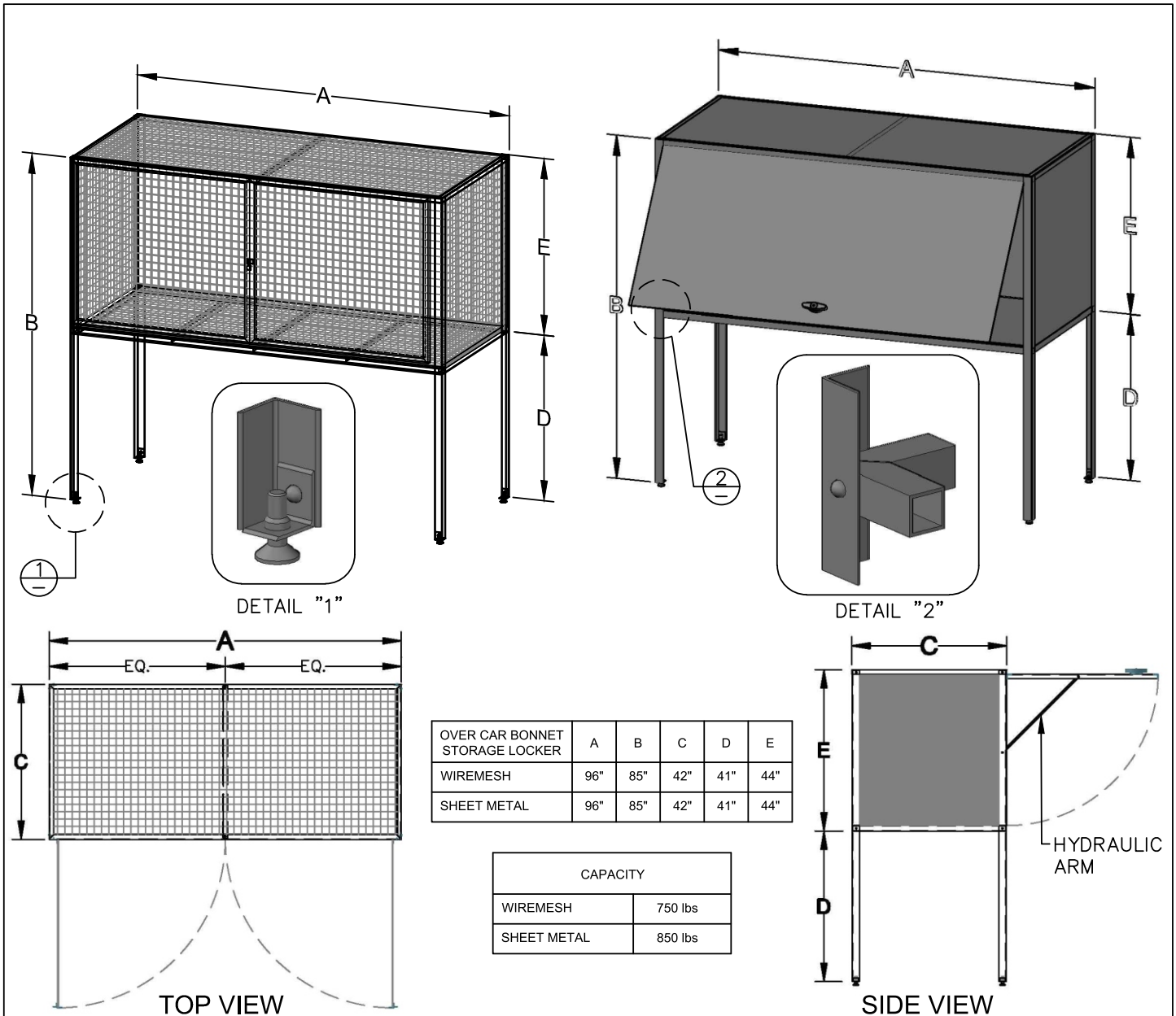
- ALL COMPONENTS SHALL BE GLOSS ALKYD ENAMEL GREY (OTHER OPTIONAL COLORS AVAILABLE)

HARDWARE

- ALL NECESSARY ASSEMBLY HARDWARE INCLUDED.
- ROOF IS INCLUDED.

Over The Car Bonnet Wire Mesh Storage Locker

Over The Car Bonnet Sheet Metal Storage Locker



OVER CAR BONNET WIRE MESH STORAGE LOCKER

SPECIFICATIONS:

POST:

2" x 2" x 1/8" STRUCTURE ANGLE.

BASE:

1 1/2" x 1 1/2" x 1/8" SQUARE TUBE WELDED WITH 2" x 2" x 10Ga WIRE MESH REINFORCED WITH 4 EQUAL DIVIDERS OF 1 1/4" x 1 1/4" STRUCTURE ANGLE.

ROOF:

1 1/4" x 1 1/4" STRUCTURE ANGLE REINFORCED BY 2 EQUAL DIVIDERS 1 1/4" x 1 1/4" STRUCTURE ANGLE.

DOORS:

2 SWING DOORS MADE OF 1 1/4" x 1 1/4" x 10Ga WELDED WIRE MESH WITH HINGES, PADLOCK & STOPPER.

BACK PANEL:

1 1/4" x 1 1/4" x 1/8" STRUCTURE ANGLE REINFORCED BY WELDED WIRE MESH 1 1/4" x 1 1/4" x 10Ga.

OVER CAR BONNET SHEET METAL STORAGE LOCKER

SPECIFICATIONS:

POST:

2" x 2" x 1/8" STRUCTURE ANGLE

BASE:

1 1/2" x 1 1/2" x 1/8" SQUARE TUBE WELDED WITH 24Ga SHEET METAL REINFORCED WITH 4 EQUAL DIVIDERS OF 1 1/4" x 1 1/4" STRUCTURE ANGLE

ROOF:

1 1/4" x 1 1/4" STRUCTURE ANGLE REINFORCED BY 2 EQUAL DIVIDERS 1 1/4" x 1 1/4" STRUCTURE ANGLE

DOOR OPTIONS:

- 1 HYDRAULIC DOOR OR
- 2 SWING DOORS MADE OF 24Ga WELDED SHEET METAL WITH HINGES, PADLOCKS, AND STOPPER.

BACK PANEL:

1 1/4" x 1 1/4" STRUCTURE ANGLE REINFORCED BY WELDED 24Ga SHEET METAL